

PWC KIT - Tow Pro

- :
- :
- :
- : **2**
- : **October, 2015**
- :
- : **November 13, 2014**
- :

The following symbols may be used in this document:



Indicates a hazardous situation which, if not avoided, could result in death or serious injury.



: Indicates a hazard situation which, if not avoided, could result in minor or moderate injury.

Indicates an instruction which, if not followed, could severely damage vehicle components or other property.



- This kit is designed for specific applicable models only (authorized BRP dealers will confirm model(s)). It is not recommended for units other than the one (those) for which it was sold.

- If the installation of the kit requires a template, ensure that template is to scale.

Installation time is approximately 1 hour.

: The illustrations in this document show typical construction of the different assemblies and may not reproduce the full detail or exact shape of the parts; however, they represent parts that have the same or similar function.

icon legend

Icon



Indicate

Parts to be discarded

Parts kept for reinstallation

Required Tools

Required Tool

Use

T1 Drill bit 6 mm (15/64)



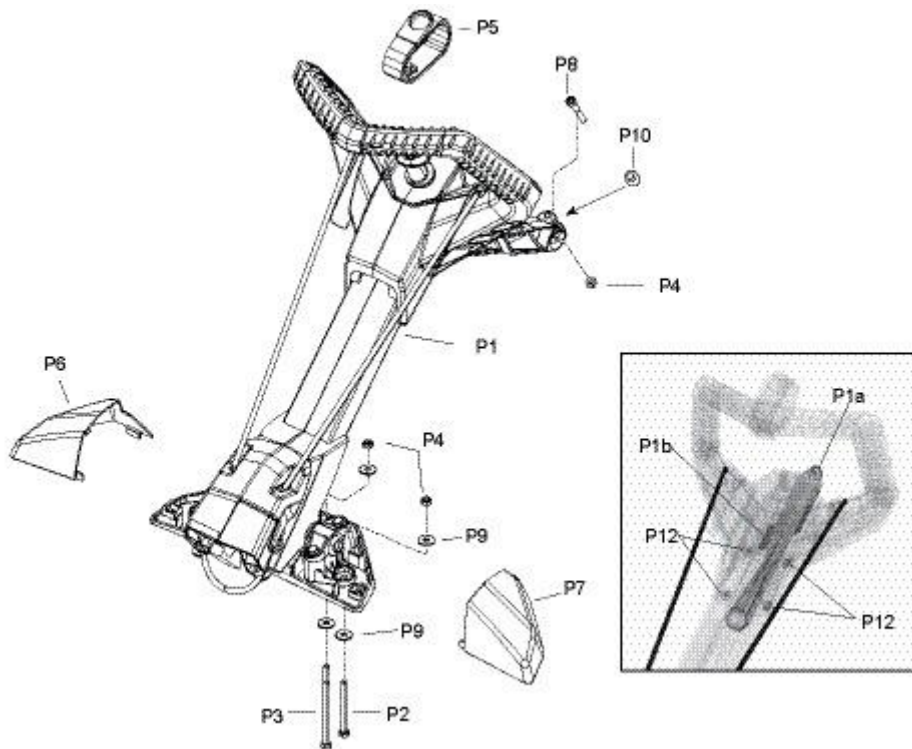
To drill bottom of 3UP boarding platform and hull

T2 Hole saw 19 mm (3/4)



To drill top of 3UP boarding platform

Items in Kit

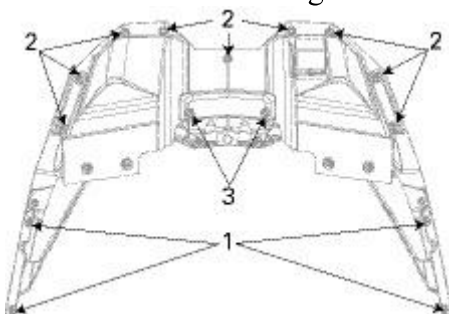


Item	Description	Part Number	Quantity
P1	Tow Pro Assembly	Not available separately	1
P1a	Support	269800691	Service Part
P1b	Lock	269800776	
P2	M6 X 65 Screw	207066560	2
P3	M6 X 100 Screw	230060060	2
P4	M6 self-locking nut	232561200	5
P5	Strap	269800770	1
P6	Left Cover	269800717	1
P7	Right Cover	269800718	1
P8	M6 X 40 Screw	205064060	1
P9	M6 Flat Washer	234062600	8
P10	Sleeve	269800772	1
P11	Template (last page)	Not available separately	1
P12	Rivet	293150186	4

Instructions

Preparing the Watercraft

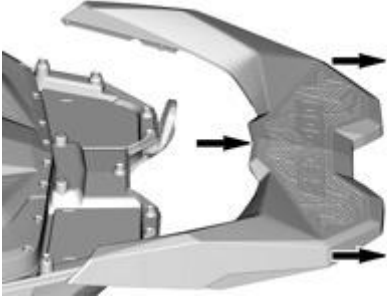
1. Remove the following screws.



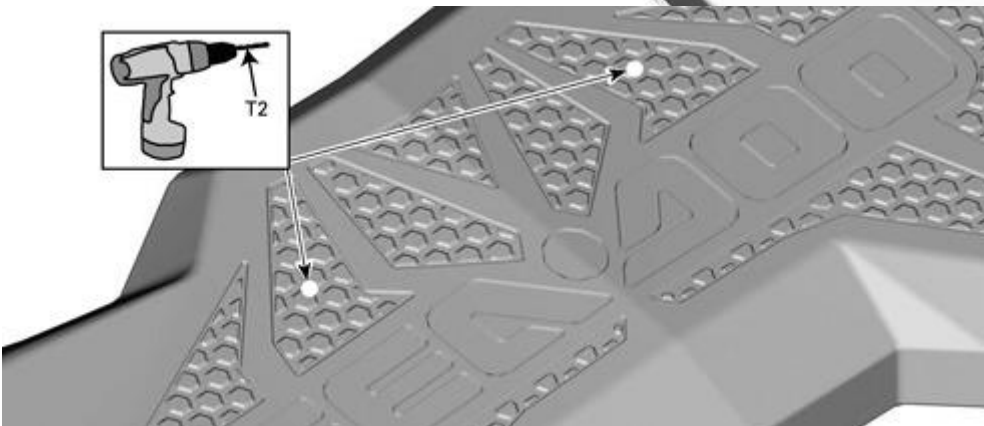
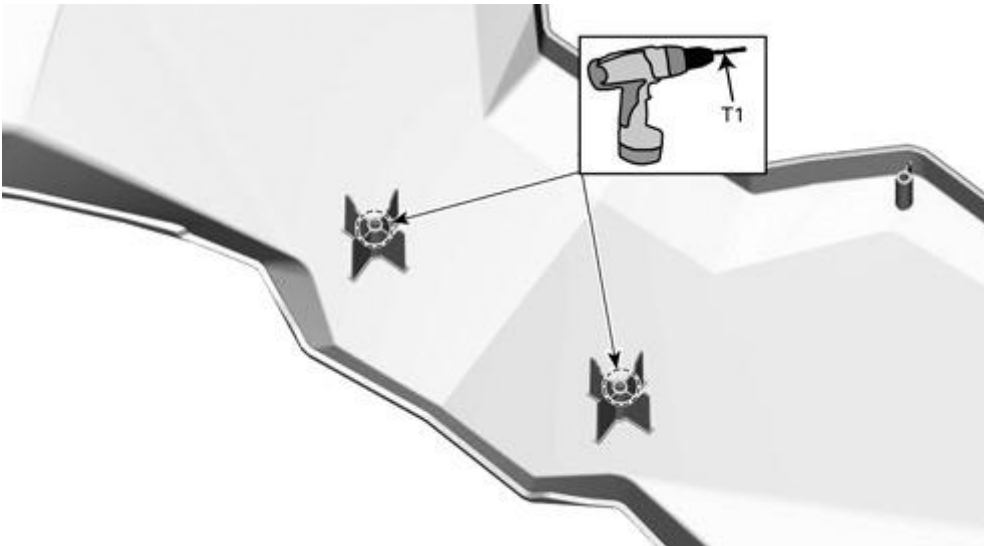
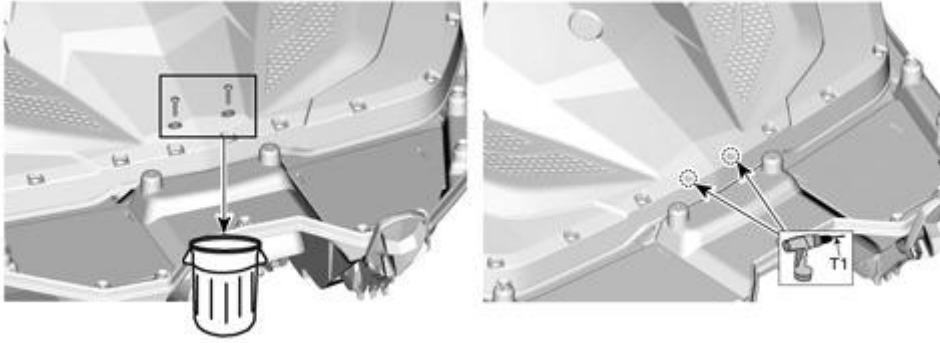
3Up Boarding Platform - view from underneath

1. M6 X 30 torx shoulder screws - remove and keep

2. M6 X 30 hexagonal shoulder screws - remove and keep
3. M6 X 30 hexagonal shoulder screws - remove and discard
2. Wiggle the 3UP deck extension and foam float off the stern of the watercraft.



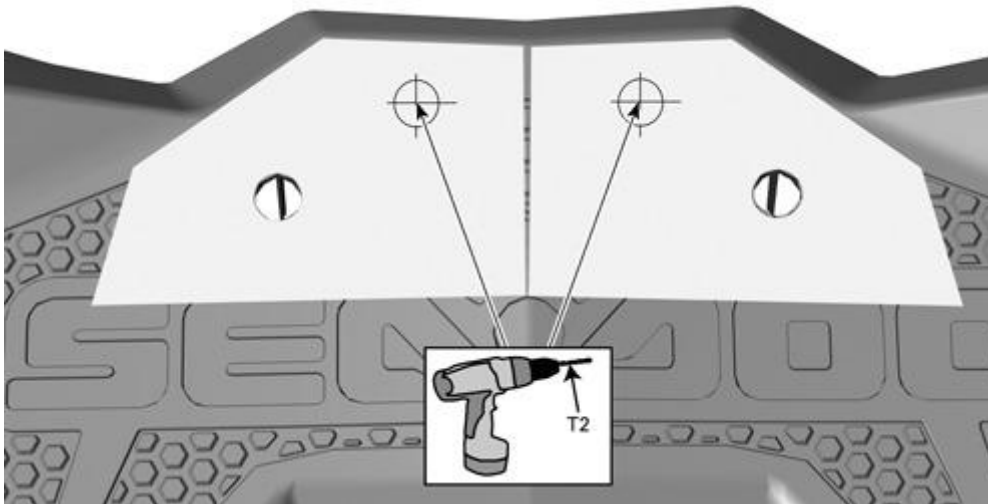
Installing the Tow Pro



Ensure to drill following previously drilled 6 mm (1/4) hole orientation. Do not drill in at a 90° angle on deck extension.

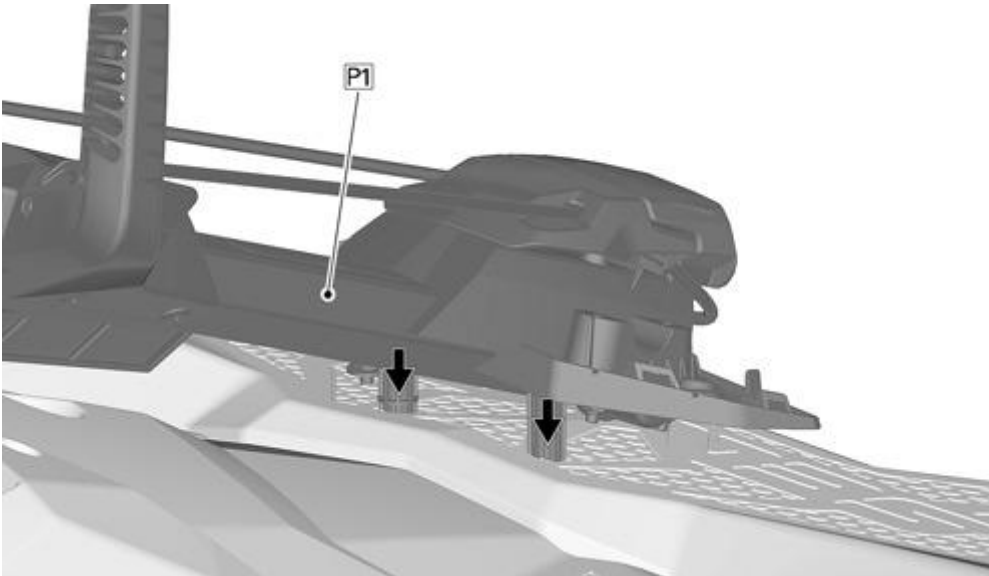
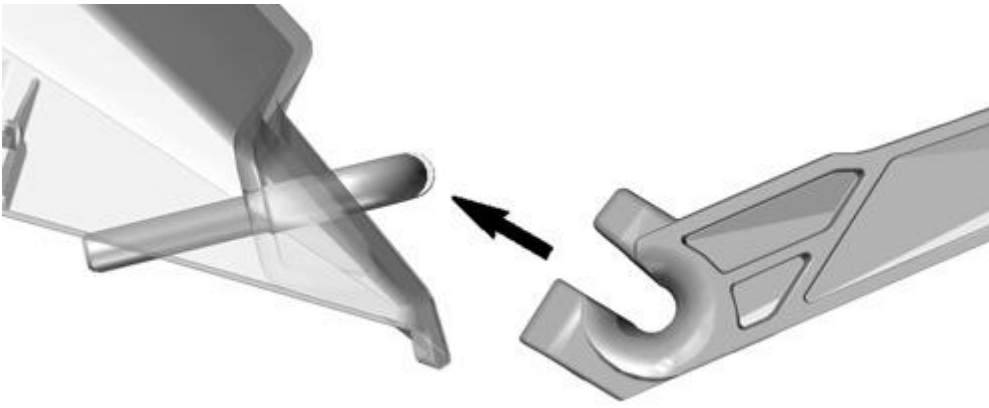


: If rear traction mat is installed, you have to trim it using the joined template.
 Join templates 1/2 and 2/2 and position as illustrated. Use previously drilled holes as reference.
 Ensure both parts of the deck extension and foam float are fitted properly before drilling through.

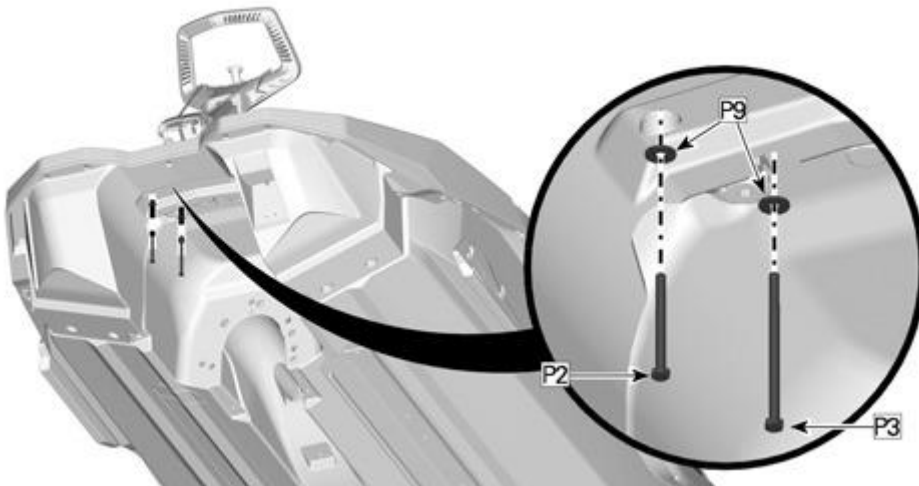


Templates installed for drilling through deck extension and foam float
 Please refer to **INSTALLING THE DECK EXTENSION AND FOAM FLOAT.**

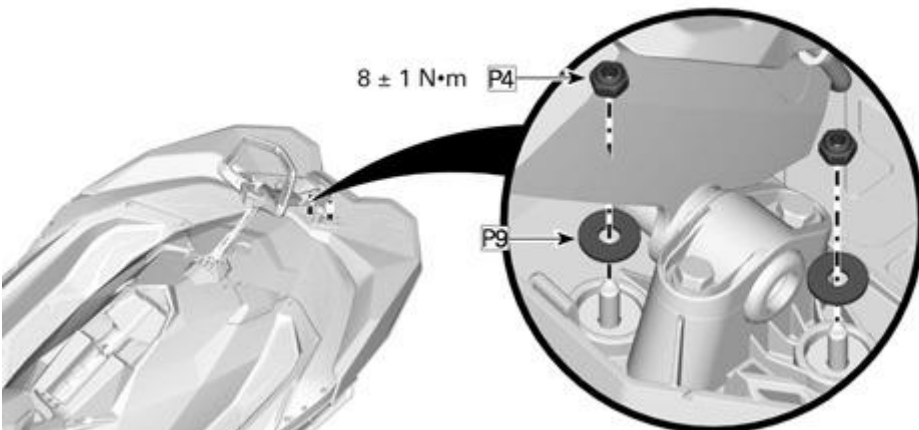


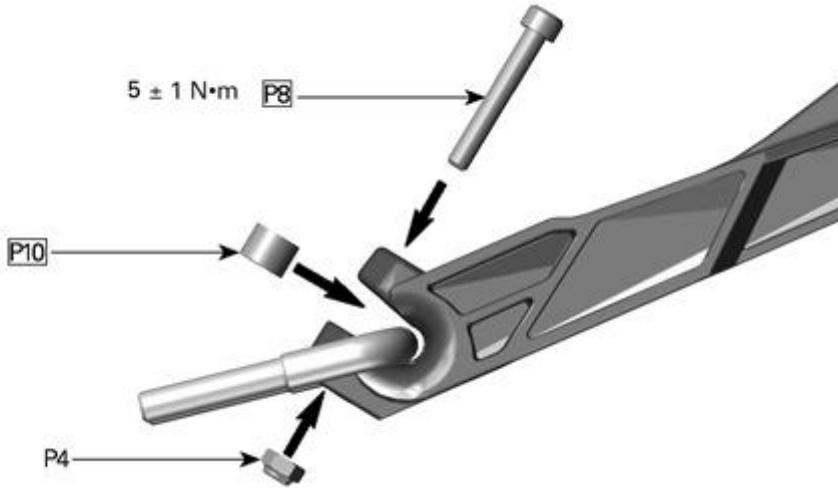
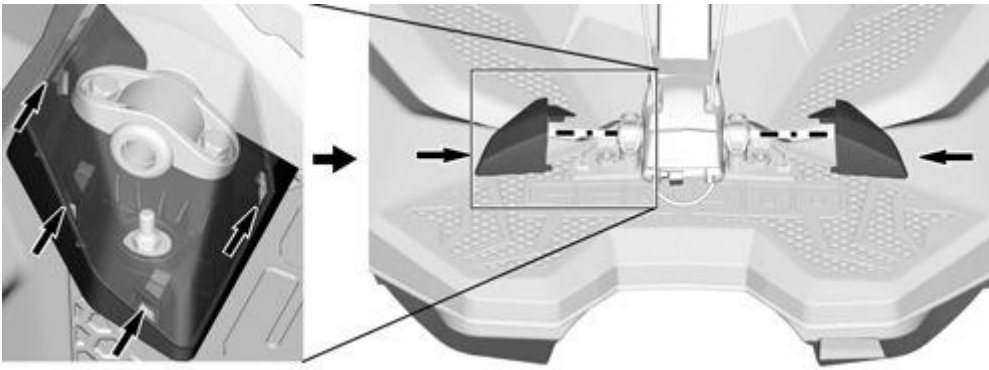


Repeat on both sides.

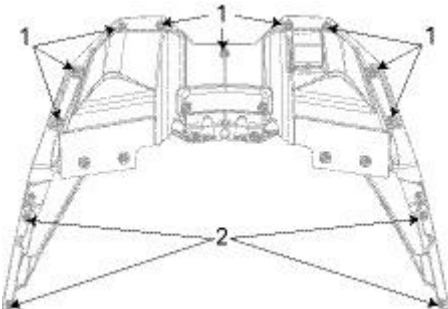


Repeat on both sides.





Installing the Deck Extension and Foam Float
 Reverse removal sequence.
 Install 3UP deck extension and foam float onto hull



3Up Boarding Platform - view from underneath
 1.: M6 X 30 torx shoulder screw - install first
 2.: M6 X 30 hexagonal shoulder screw - tighten second

Tightening torque

M6 X 30 hexagonal shoulder screw	$3.5 \pm 0.5 \text{ N}\cdot\text{m}$ (31 ± 4 •)
M6 X 30 torx shoulder screw	$5.5 \pm 0.5 \text{ N}\cdot\text{m}$ (49 ± 4 •)

Safety Label

This product comes with the following safety label containing important safety information. Any person who intends to use this product should read and understand the information contained on the safety label before doing so.



Using the tow pro

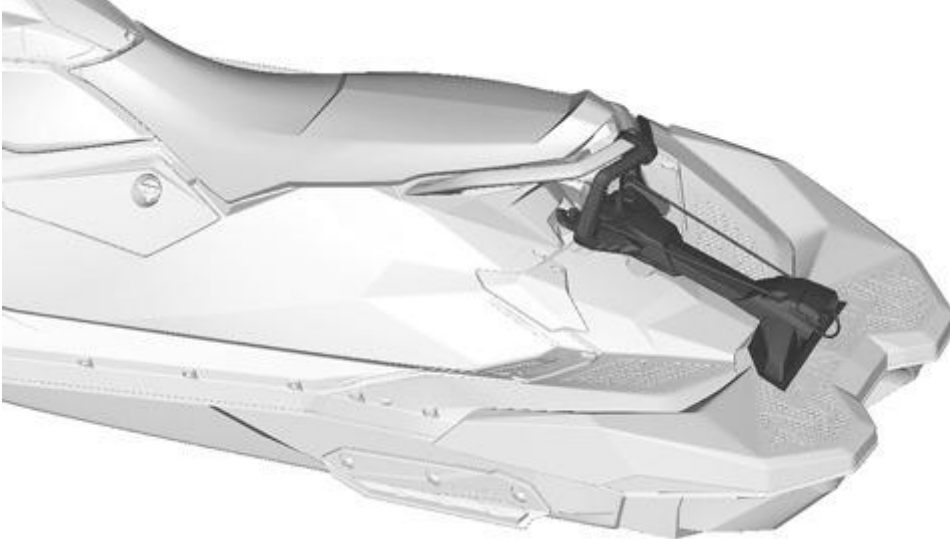


Make sure tow pro is fully extended and locked before use. Completely retract and lock when not used. Use caution with skier/wakeboarder in tow as tow rope may backlash to watercraft when released. Never perform a sharp turn when towing a skier, wakeboarder or any toy. Always store tow rope when not in use.

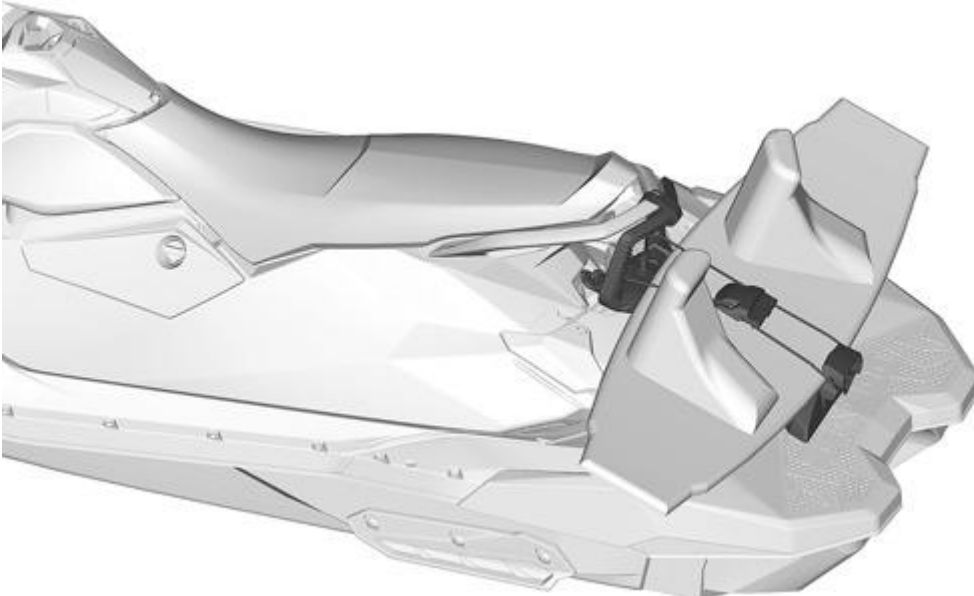
Towing



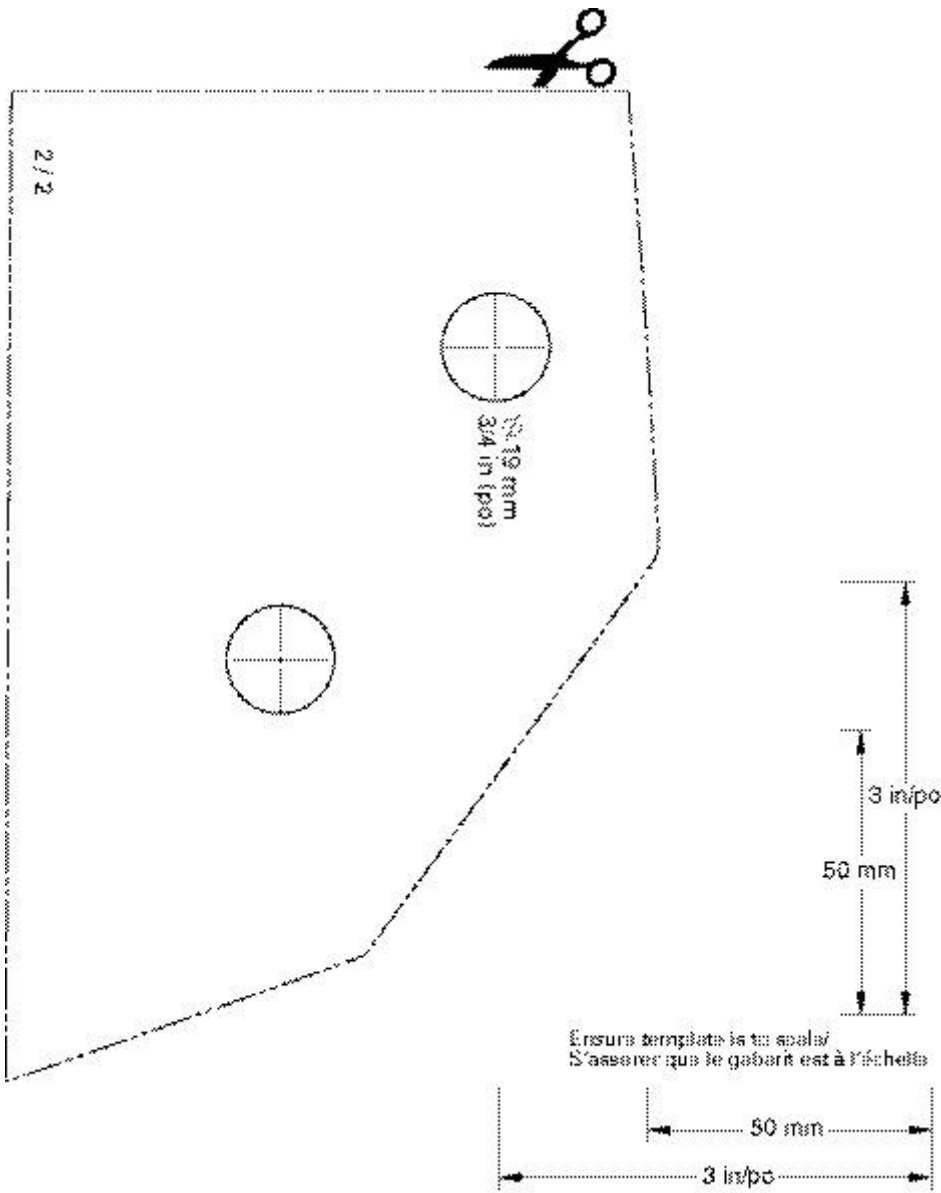
Not Used



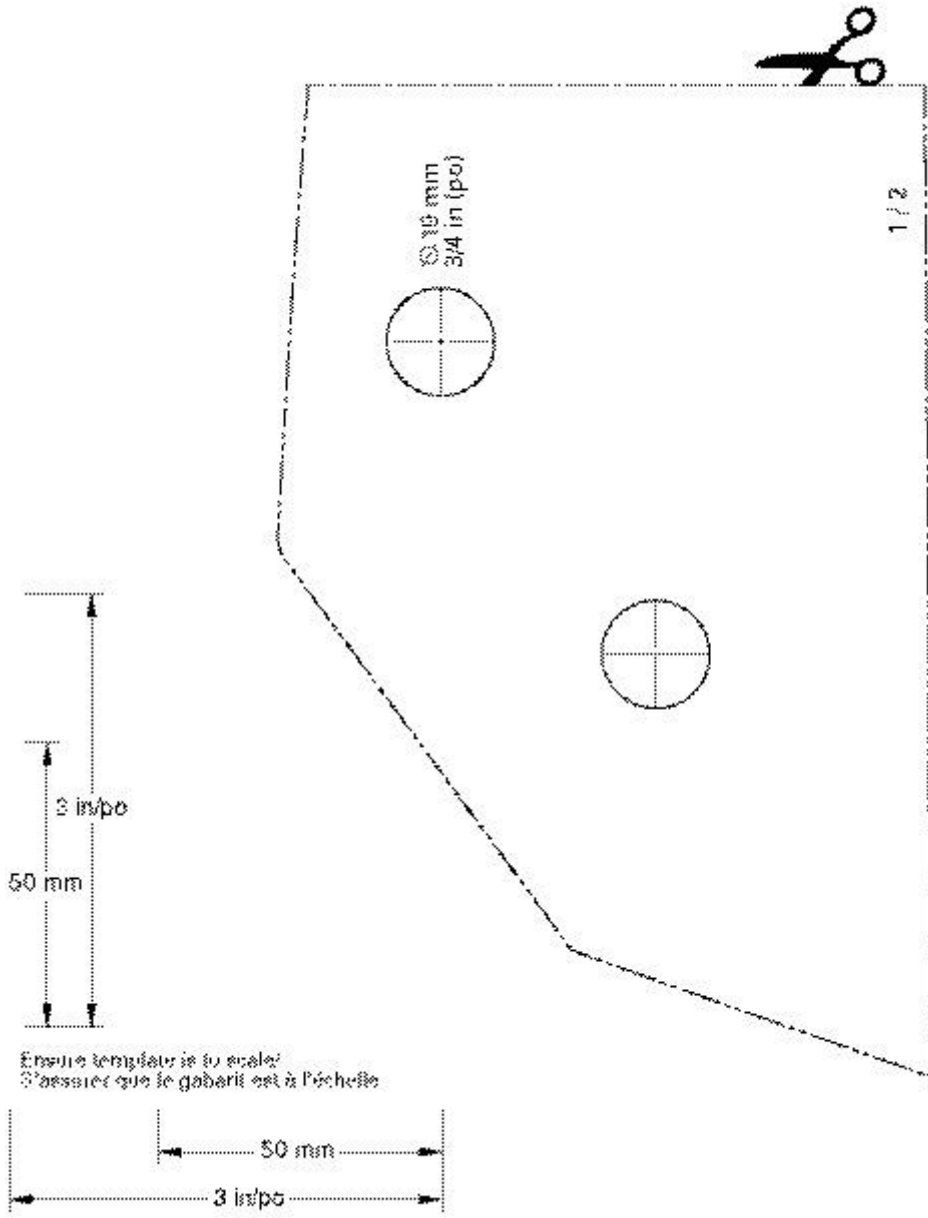
Transporting



Template



**This page is
intentionally blank**



[Templates.pdf](#)